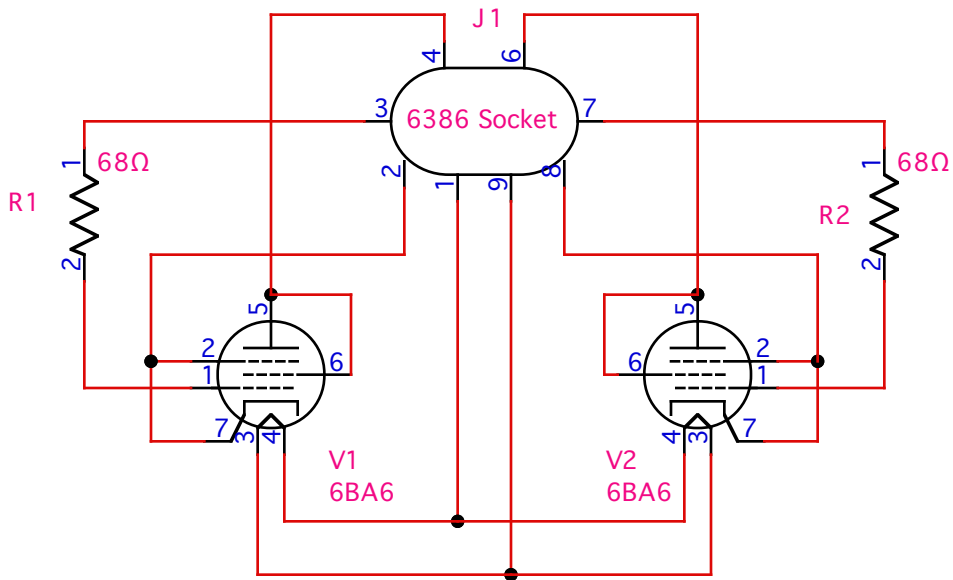


plug-in replacement adaptation for the 6386 in variable-mu compressors. Please note the following current examples for sources of the VT-203 or 9003 tubes for which the adapter is designed additionally, it is quite common for the Ken-Rad brand VT-203 to exhibit gassy symptoms when tested. This seems to make absolutely no difference in performance. The RCA brand does not, but failure of RCA's during the burn-in period is a bit more frequent.

Please do not be tempted to test the tubes in the adapter AS a 6386! They should be tested and balanced individually, as some testers will damage triode-connected tubes.

You may also wish to experiment with the 6BA6/5749/6660, 6BZ6 and 6BD6 and their military equivalents, which are readily available. These will increase your filament current consumption by 250 ma per adapter, above the 6386, so please use accordingly. The 6386 adaptation is designed to handle any of these, even though the basing is a bit different. Equipment adjustment may be necessary.



6BA6 6BZ6



6386

